



Model 183 Multiplier

- Reduces High AC Voltage Signals Down to 150 VAC
- Reduces High DC Voltage Signals Down to 500 μ A DC
Accuracy $\pm 1\%$
- AC Ranges up to 1000 Volts, DC Ranges up to 5000 Volts
- UL Recognized

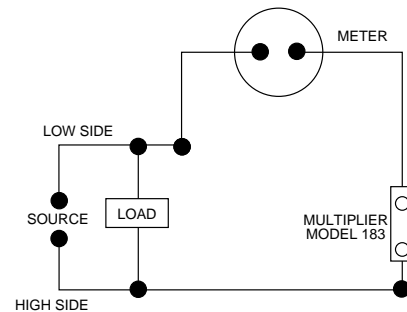


The Simpson183 multipliers increase the capability of a panel meter beyond it's normal monitoring ability. Use the DC Volt multiplier to reduce the voltage signal between the source and the load to safely monitor high voltage signals up to 5000 Volts.

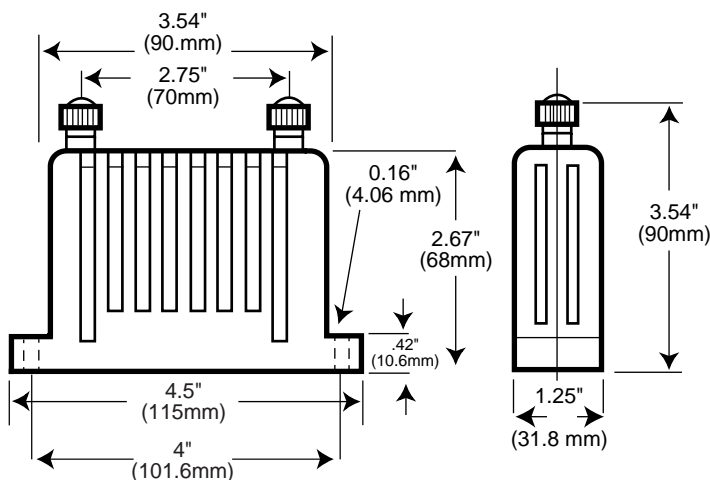
A multiplier is needed if the panel meter is not self-contained to handle high voltage. A multiplier is shipped with each analog meter when required (except for Tru-Vue meters, where a multiplier must be ordered separately).

A typical wiring diagram shown to the right depicts the Model 183 installed in series with the meter on the high side of the line and the meter at ground potential.

DC Voltage — With External Multiplier Model 183



Dimensions and Ordering Information



DC Volts - 2000 Ohms/Volt

Used only with Simpson DC Volt analog panel meters or with 0-2 mA DC digital panel meters. Digital units will need to be recalibrated when a multiplier is used.

Range	Multiplier Resistance M Ω	Meter Sensitivity DC μ A	Catalog Number
0-500	1	500	08552
0-1000	2	500	08554
0-2000	4	500	08557
0-4000	8	500	08560
0-5000	10	500	08561

AC Volts - 166 Ohms/Volt

Used only with Simpson AC Volt, iron vane analog panel meters or with a 0-200 VAC digital meter using an external 25K Ω /1W resistor across the inputs.

Range	Impedance Ω @ 60Hz	Voltage Reduced	Voltage Drop	Catalog Number
0-500	58,333	350	150	08562
0-600	75,000	450	150	08563
0-750	100,000	600	150	08564
0-1000	141,666	850	150	08565